

6

5

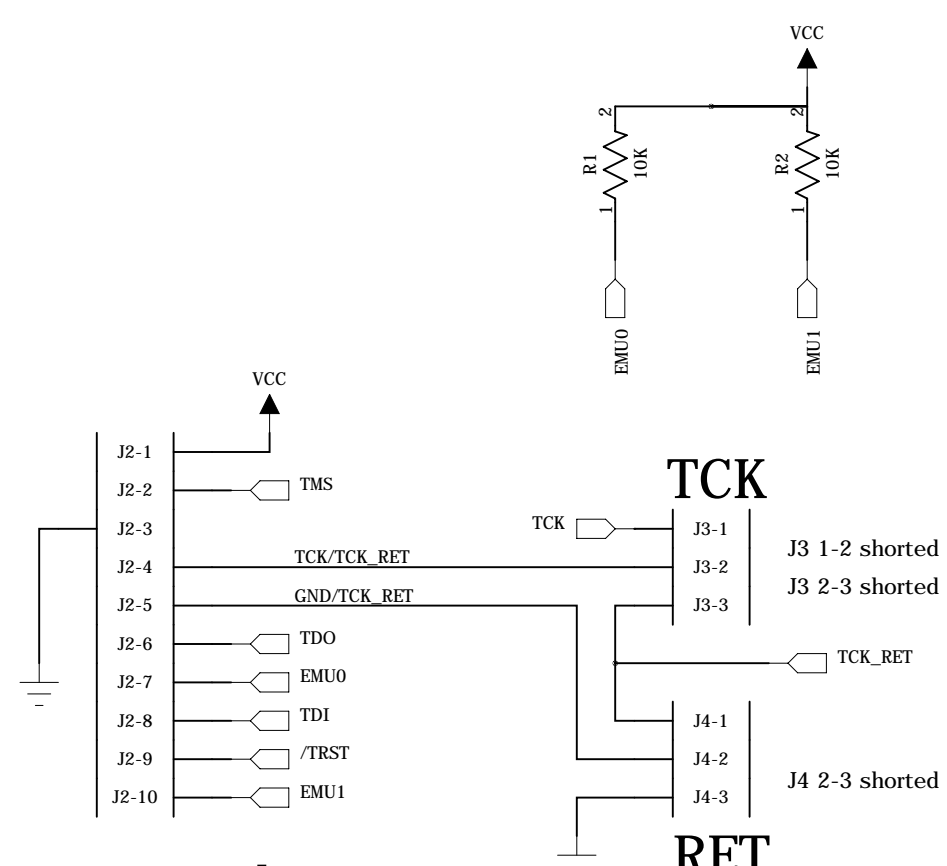
4

3

2

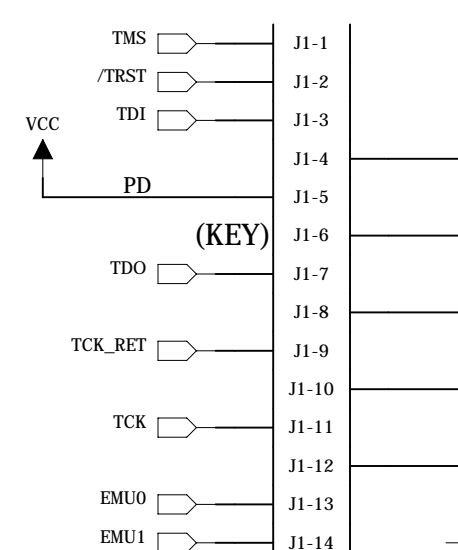
1

REVISION RECORD			
LTR	ECO NO:	APPROVED:	DATE:



**10-Pin Header  
for TC2050-IDC (-NL)**

Solder Bridge Jumpers



**14 pin ribbon connector**

TC-C2000-M: Male pin header with Pin 6 (KEY) removed  
 TC-C2000-F: 90 degree Female Connector with PCB locating tab

**Notes:**

TC2050-IDC family cables may need to be shortened to maintain signal integrity

Use TCK and RET solder bridge jumpers to set the function of J2-4 and J2-5

Default settings have TCK on J2-4 sourced by and returning to debugger with Ground on J2-5 (no need to connect TCK to TCK\_RET on the target).

For TCLK sourced by Target select J3 2-3 and J4 2-4 only.

No need for EMU0 and EMU1 pullups on target.

DRAWN: Neil Sherman	DATED: 1/17/2013
CHECKED:	DATED:
QUALITY CONTROL:	DATED:
RELEASED:	DATED:

COMPANY: <b>Tag-Connect, LLC</b>			
TITLE: <b>Tag-Connect C2000 Adapter</b>			
CODE:	SIZE: <b>B</b>	DRAWING NO: <b>TC-C2000</b>	REV: <b>1</b>
SCALE:		SHEET: 1 of 1	