

4

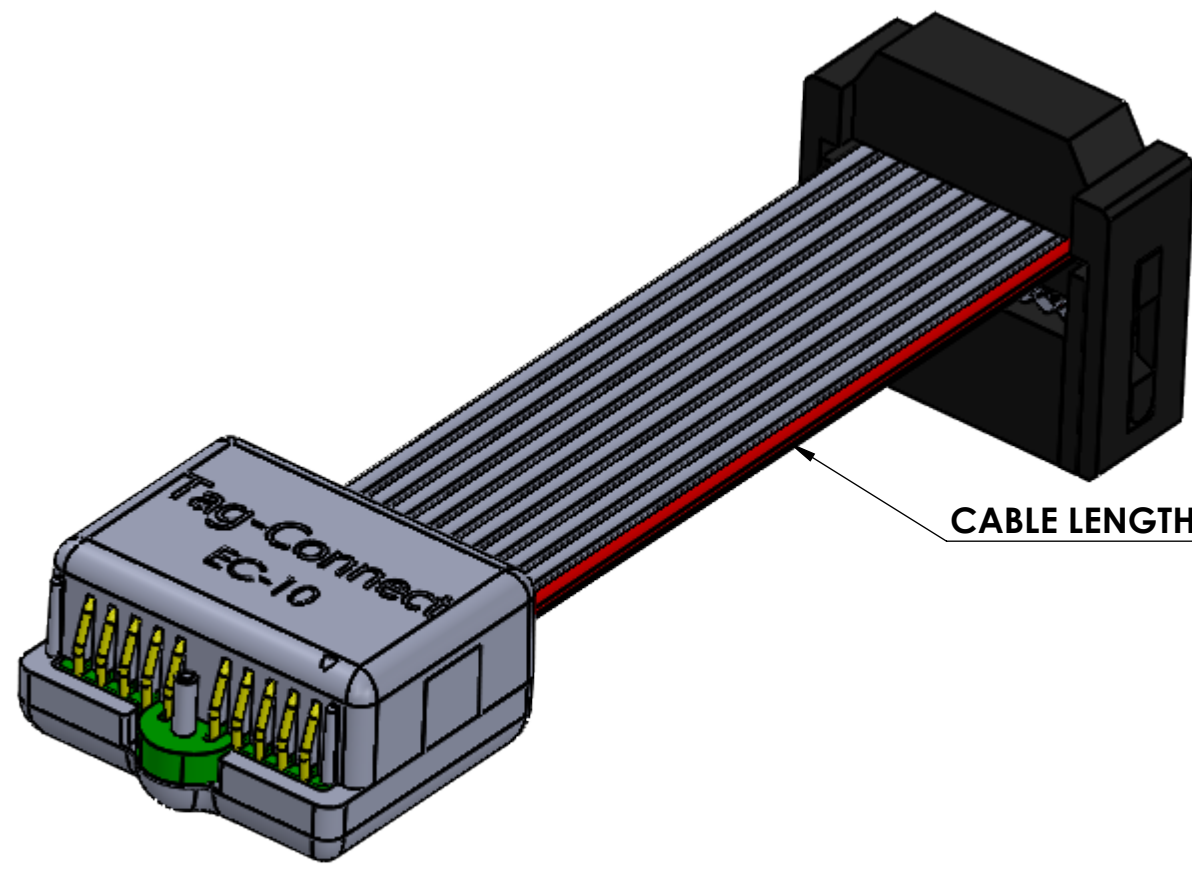
3

2

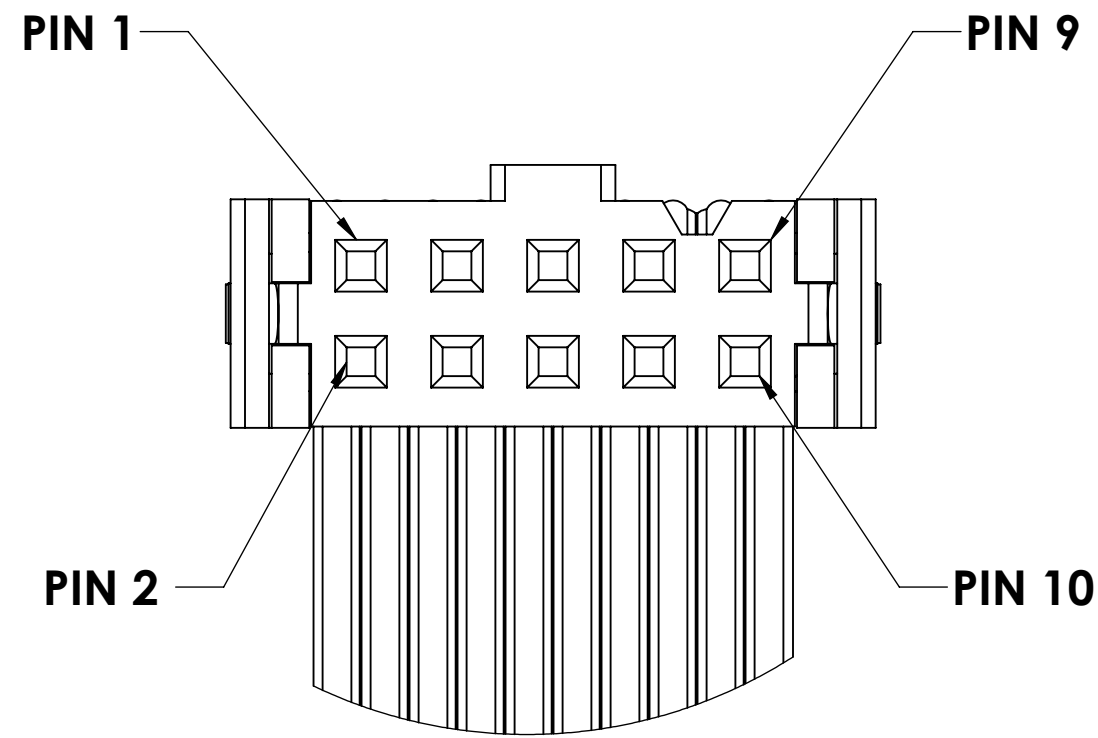
1

DATASHEET FOR EC-10 Pin EDGE-CONNECT (TM) CABLE

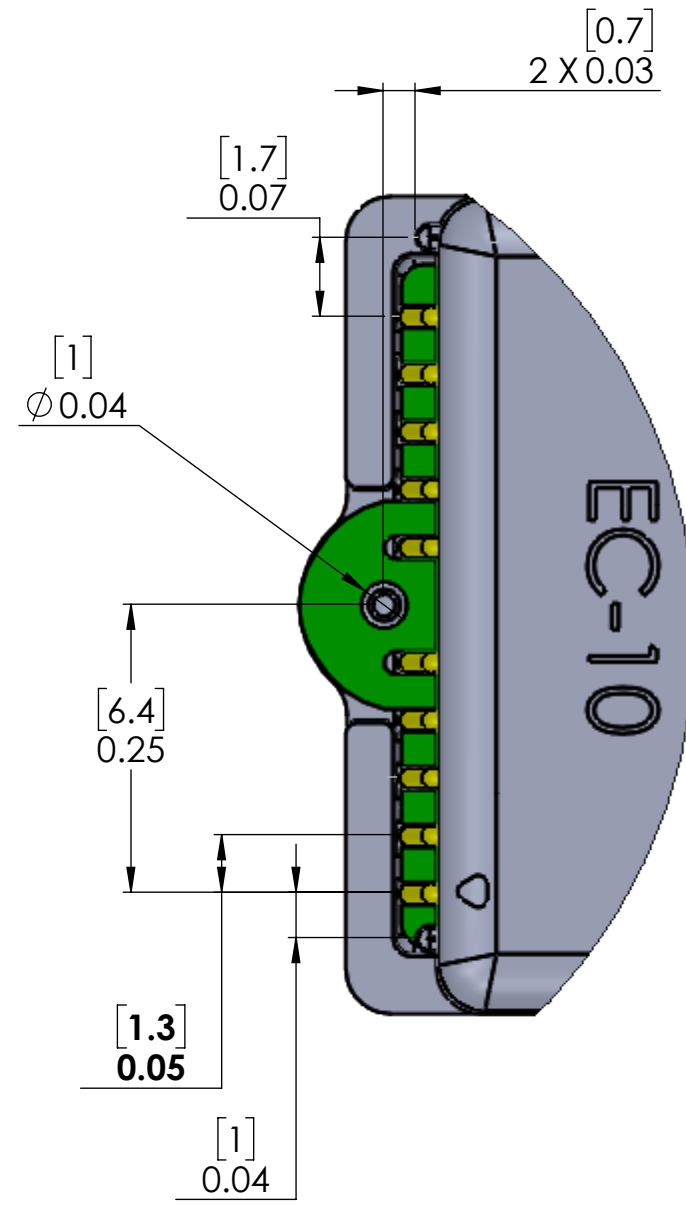
REV	DESCRIPTION	DATE	REV BY
A	BRANCH MODEL FROM FAMILY DATA SHEET, EC-XX	10/13/2018	BEASTMAN
B	OVERALL LENGTH AND WIDTH CHANGED. PINS CHANGED, PIN LOCATION STAYED THE SAME.	4/28/2020	HOPKINS



CABLE LENGTH NOT TO SCALE

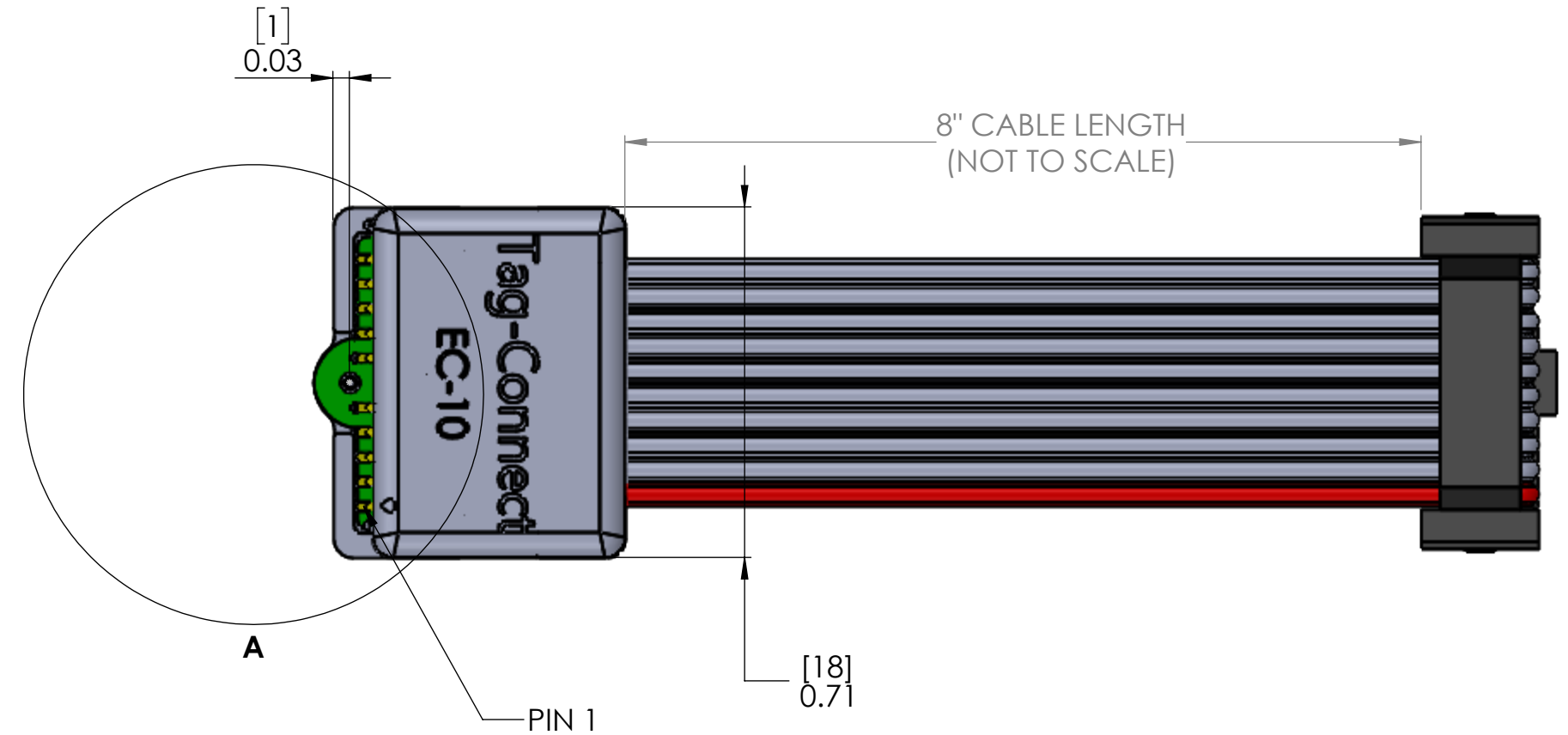


DETAIL E
SCALE 5 : 1

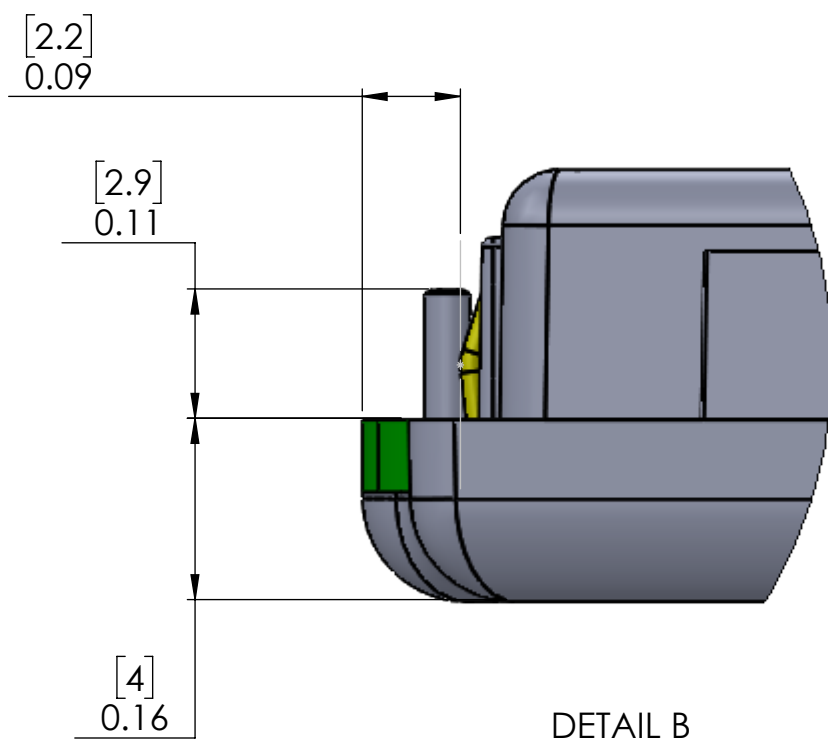
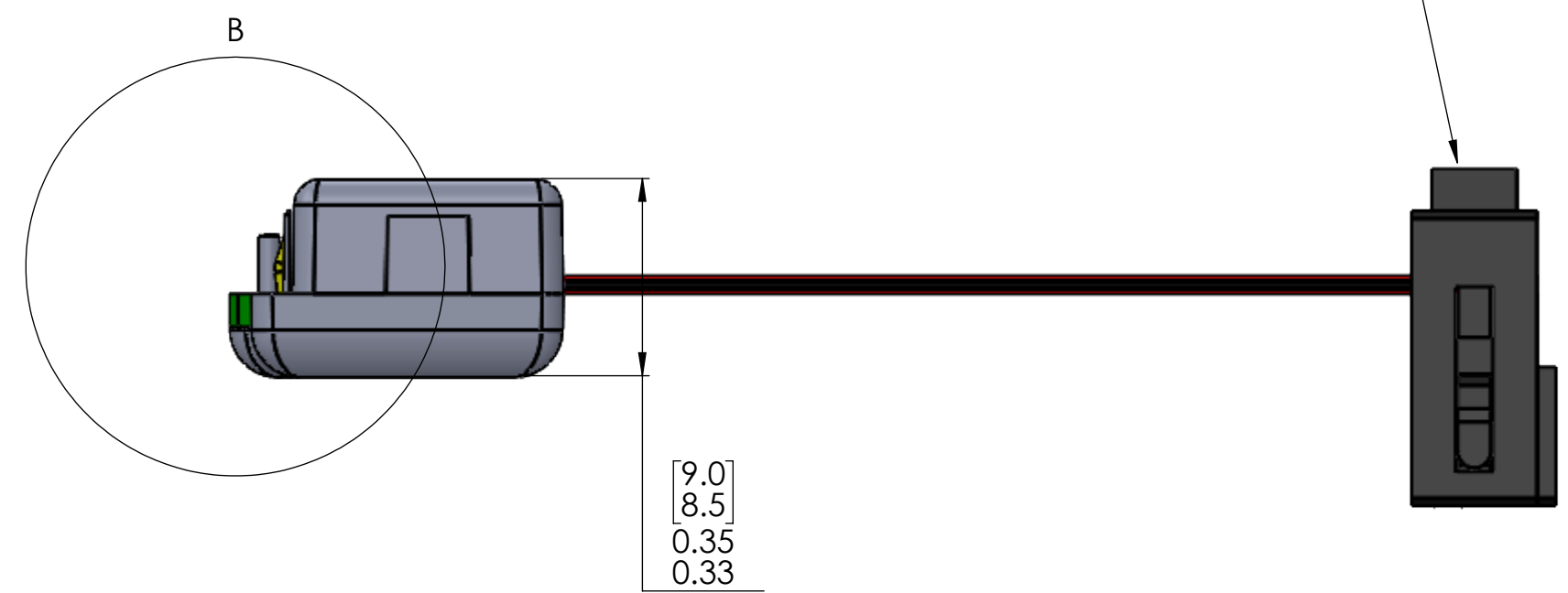


DETAIL A
SCALE 6 : 1

SEE PCB LAYOUT DETAILS ON SHEET 2
FOR MATING BOARD FOOTPRINT



10 POS 0.100" [2.54MM] FEMALE IDC
CONNECTOR WITH STRAIN RELIEF



DETAIL B
SCALE 6 : 1

SIZE	PART NO.	Desc	REV
A	EC-10	Edge-Connect, 10 Pin	B
DO NOT SCALE		www.TAG-CONNECT.com	SHEET 1 OF 2

4

3

2

1

4

3

2

1

[0.8]
0.03
PCBA THK

D

D

2X [0.32] R0.01 UNPLATED

[8.08] 0.32 [6.35] 0.25 [5.08] 0.20 [1.27] 0.05 0 [1.27] 0.05 [2.54] 0.10 [3.81] 0.15 [5.08] 0.20 [6.35] 0.25 [7.35] 0.29

C

C

[1] 0.04

2X [0.41] R0.02 PLATED

[1.06] ϕ 0.042 0.04 UNPLATED

10X [1.02] 0.04

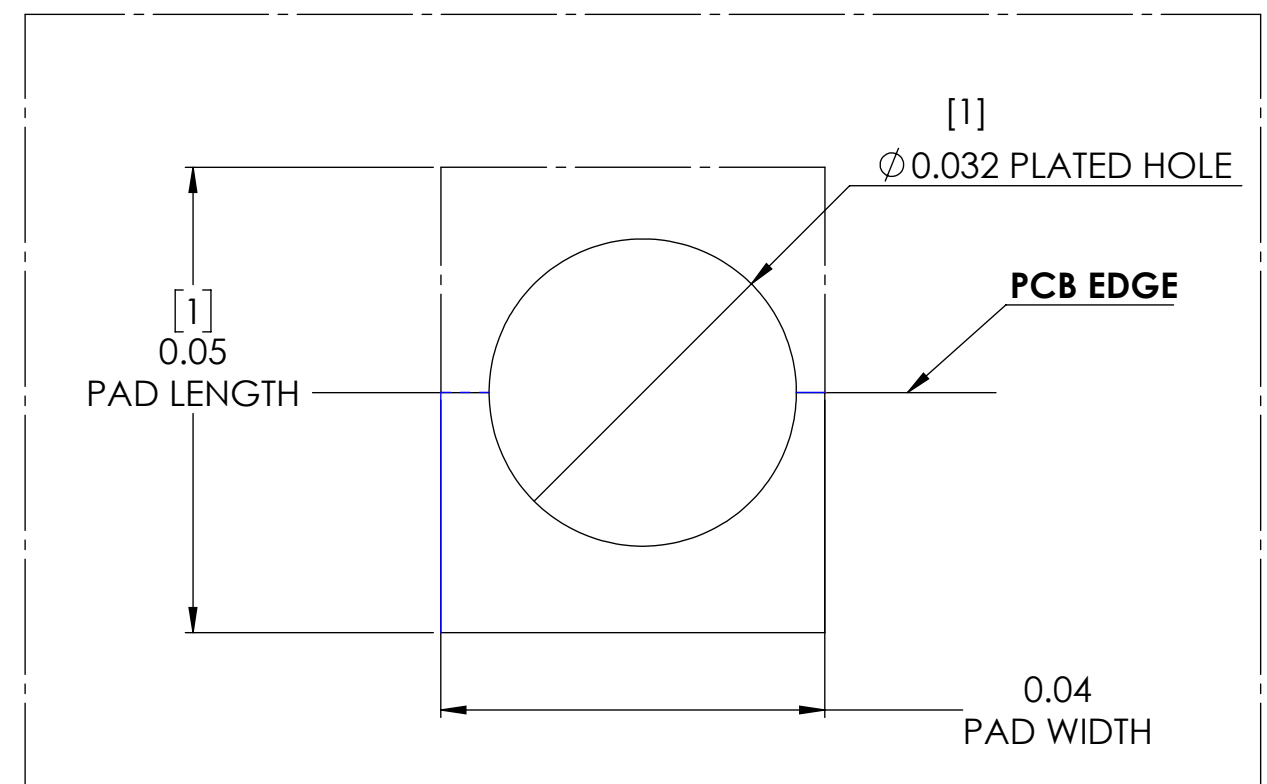
Note:
All holes will be placed within 0.05 mm [0.002 in] from the center pin location.

All hole diameters need to be made within 0.1 mm [0.005in] of the nominal diameter.

B

B

DETAIL C
SCALE 20 : 1



EC-10 MATING PCBA FOOTPRINT

SIZE A	PART NO. EC-10	PART NO. Edge-Connect, 10 Pin	REV B
DO NOT SCALE		www.TAG-CONNECT.com	SHEET 2 OF 2

4

3

2

1

A

A